

Voyager

MOBILE CART

Move with Style

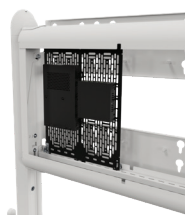


Voyager™ is a compact mobile display solution to support flexible conferencing and collaboration in workspaces and digital signage. Built-in cable management and small device storage create quick and attractive AV installations. Sleek handles and a stylish woodgrain shelf promote accessibility and effortless movement.

Camera and speaker mounts integrate with a wide range of conferencing and collaboration technologies. The slim footprint of Voyager invites users to easily step up to interactive displays and move freely around the cart. Future proof conference rooms with an adaptable mobile cart compatible that accepts a wide range of displays.



High-quality, lockable casters ensure smooth movement, safety and stability



PACL2 LeverLock™ storage plate included for convenient mounting of small devices.



Lower storage area accommodates PACL1 Lever Lock storage plate, sold separately

Displays can be mounted in landscape or portrait orientation. Freestyle Flat Panel Rotation Adapter accessory provides rotation from landscape to portrait orientation with rotating displays like MS Surface Hub and Samsung Flip 2.

FEATURES

- 175 lb. (79 kg) weight capacity supports ~~most touch displays up to 75" for interactivity~~
- Supports display mounting in portrait or landscape orientations.
- Robust display mounting with manual height adjustment, accommodates multiple heights and displays sizes
- Technology agnostic; providing peace of mind to future-proof your investment
- Ideal for corporate conferencing and collaboration, higher education collaboration spaces, digital signage for hospitality, and much more.
- Sophisticated design: elevated aesthetics to complement contemporary spaces
- Camera and speaker accessories integrate with a variety of popular conferencing and collaboration technologies
- Easily removable panels to conceal AV component storage for clean, attractive installation and cable management
- High-quality casters for easy, smooth movement with lockable rear casters
- Compact, low-profile footprint and sleek handles promote accessibility to technology and storage
- Installer inspired design for fast, intuitive assembly and installation
- Stocked globally for quick shipping

WATCH THE VIDEO

WATCH FEATURES VIDEO

SPECIFICATIONS

SKU	LSCU
CENTER OF DISPLAY TO FLOOR TABLE RANGE	50.72" – 60.96" (1288 – 1548 mm)
COLOR	Black or White
MANUAL HEIGHT ADJUSTMENT	10.2" (259mm)
MOUNTING PATTERN COMPATIBILITY (UNIVERSAL VERSIONS)	200-200mm – 600x400mm
TILT	0°, 3° & 5° of back tilt (3 settings)
TYPICAL SCREEN SIZES	50" – 75"
WEIGHT CAPACITY	175 lbs. (79 kg)
ORIENTATION	Static install in landscape or portrait Dynamic rotation from landscape to portrait with FRA accessory, sold separately



VOYAGER MOBILE CART

ACCESSORIES



Voyager Storage Shelf Accessory

A stylish woodgrain shelf accessory for additional storage can be mounted with tool-free adjustment on the front or back of the Voyager Mobile Cart.

SKU	SCSS
COLOR	Black or White
FINISH	Wilsonart Veranda Teak HPL (8209)
DEPTH	10.5" (266 mm)
OVERALL DIMENSIONS (H X W X D)	4" x 30" x 10.5" (102 x 762 x 266 mm)
SHIPPING WEIGHT	11.3 lbs (5kg)
WEIGHT CAPACITY	25 lbs (11 kg)



Voyager Video Conference Camera Shelf

Mount a variety of popular conferencing cameras above or below the display with the SCAC Video Conference Camera Shelf.

SKU	SCAC
COLOR	Black or White
DEPTH	8" (203 mm)
OVERALL DIMENSIONS (H X W X D)	12.5" x 8.5" x 8" (318 x 216 x 203 mm)
SHIPPING WEIGHT	5 lbs (2.3 kg)
TYPICAL SCREEN SIZES	50-75"
WEIGHT CAPACITY	10 lbs (4.5 kg)

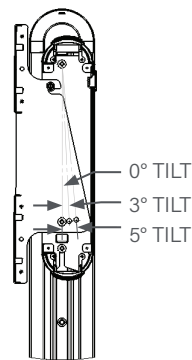
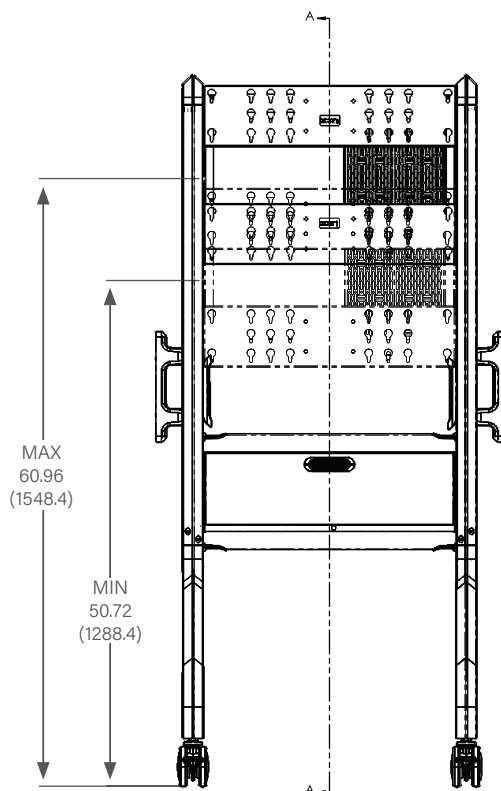
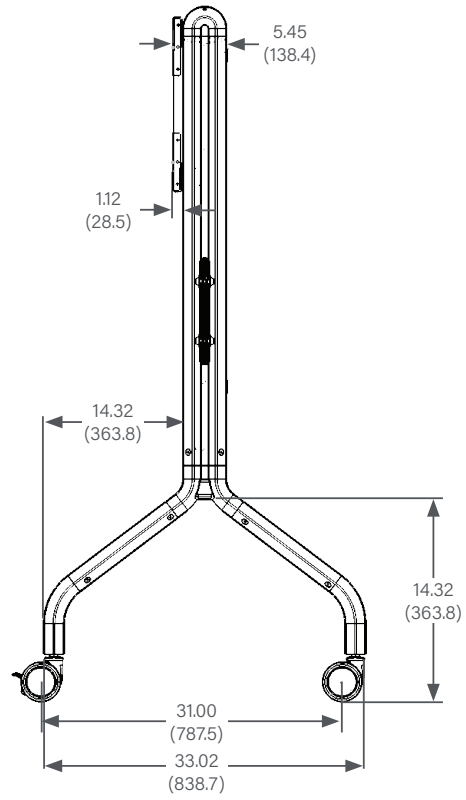
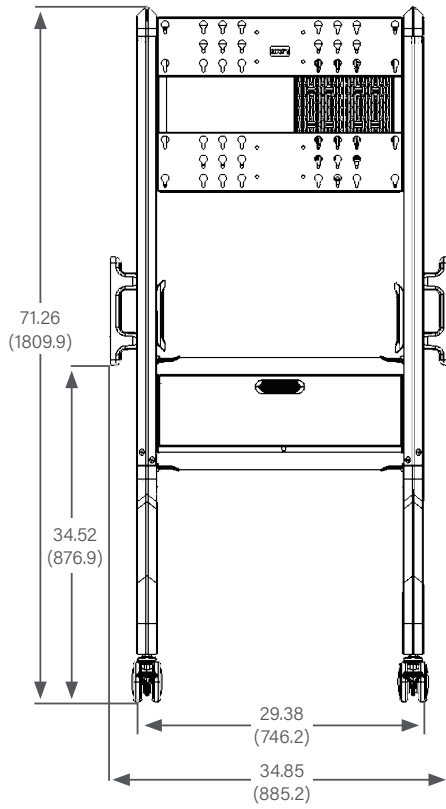


Voyager Speaker Bar Accessory

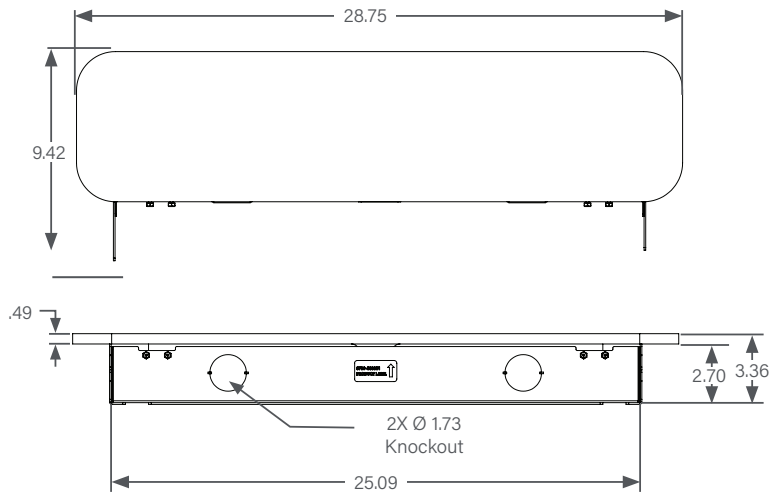
Mount a variety of popular speaker and conferencing sound bars above or below the display with the SCAS Speaker Bar Accessory.

SKU	SCAS
COLOR	Black or White
DEPTH	2.75" (70 mm)
OVERALL DIMENSIONS (H X W X D)	22.5" x 7.75" x 2.75" (572 x 197 x 70 mm)
SHIPPING WEIGHT	5 lbs (2.3 kg)
TYPICAL SCREEN SIZES	50-75"
WEIGHT CAPACITY	15 lbs (7 kg)

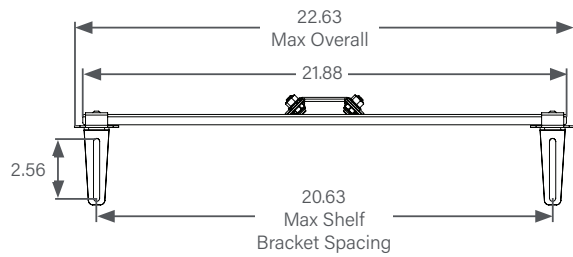
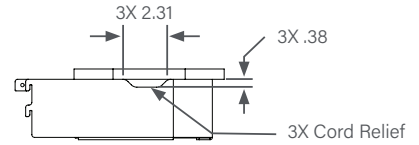
TECH DRAWINGS



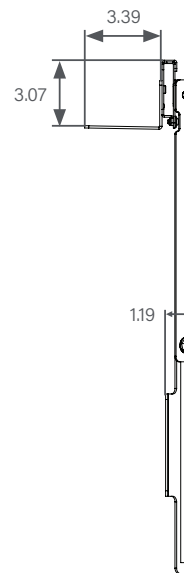
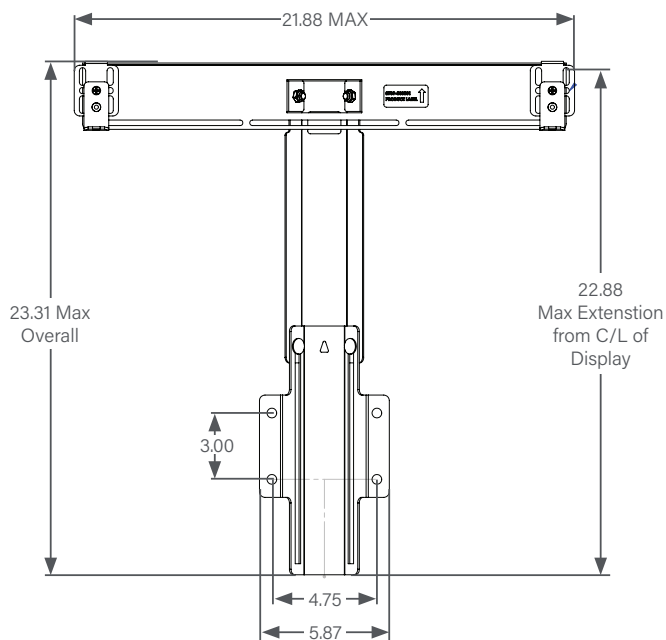
TECH DRAWINGS



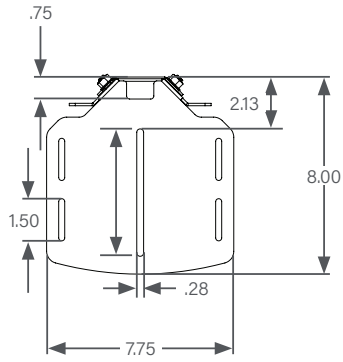
Voyager Storage Shelf Accessory



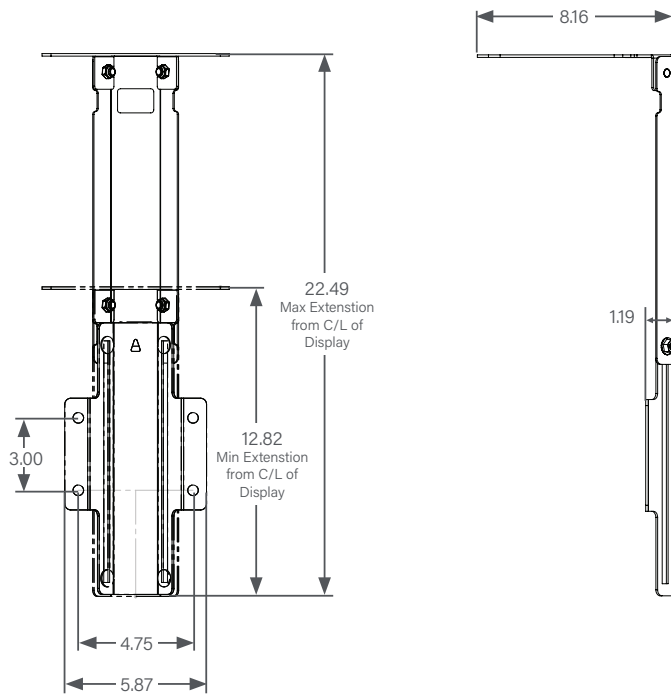
Voyager Speaker Bar Accessory



TECH DRAWINGS



**Voyager Video Conference
Camera Shelf**



CHIEF®

A brand of **legrand**

LEGRAND | AV COMMERCIAL BRANDS

C2G | Chief | Da-Lite | Luxul | Middle Atlantic | Vaddio | Wiremold

INSTALLER INSPIRED | legrandav.com

USA 866.977.3901 av.chief.support@legrand.com CANADA 877.345.4329 av.chief.canada@legrand.com

EMEA +31 495 580 840 av.emea.sales@legrand.com APAC +852 2145 4099 av.asia.sales@legrand.com

©2022 Legrand AV Inc. 220567 Rev B 9/22 Chief is a registered trademark of Legrand AV Inc. All other brand names or marks are used for identification purposes and are trademarks of their respective owners. All patents are protected under existing designations. Other patents pending.